

Portable Transport Lift Specification

Platform Dimensions

External Dimensions	1140mm x 1590mm
Internal Dimensions	850mm x 1400mm
Lower Ramp Dimensions	815mm x 900mm
Upper Ramper Dimensions	610-800mm x 1000mm
Platform Covering	Anti-slip coating on platform and ramps

Operation

Lifting Capacity	300kg
Maximum Travel	955mm
Lifting Speed	30mm/s
Drive Unit	Electromechanical Linear Actuator

Controls

Location	On side of platform
Push Buttons	Up, Down, Emergency Stop

Safety

Brake	To prevent platform movement during operation
Actuator	Thermal overload
Safety Edge	1100mm barrier protection
Locks	Mechanical locks on both ramps
Emergency Descent	Controlled from actuator below platform

Finishes

Surface Treatment	Galvanised
Colour	Powder-coated in RAL 7035

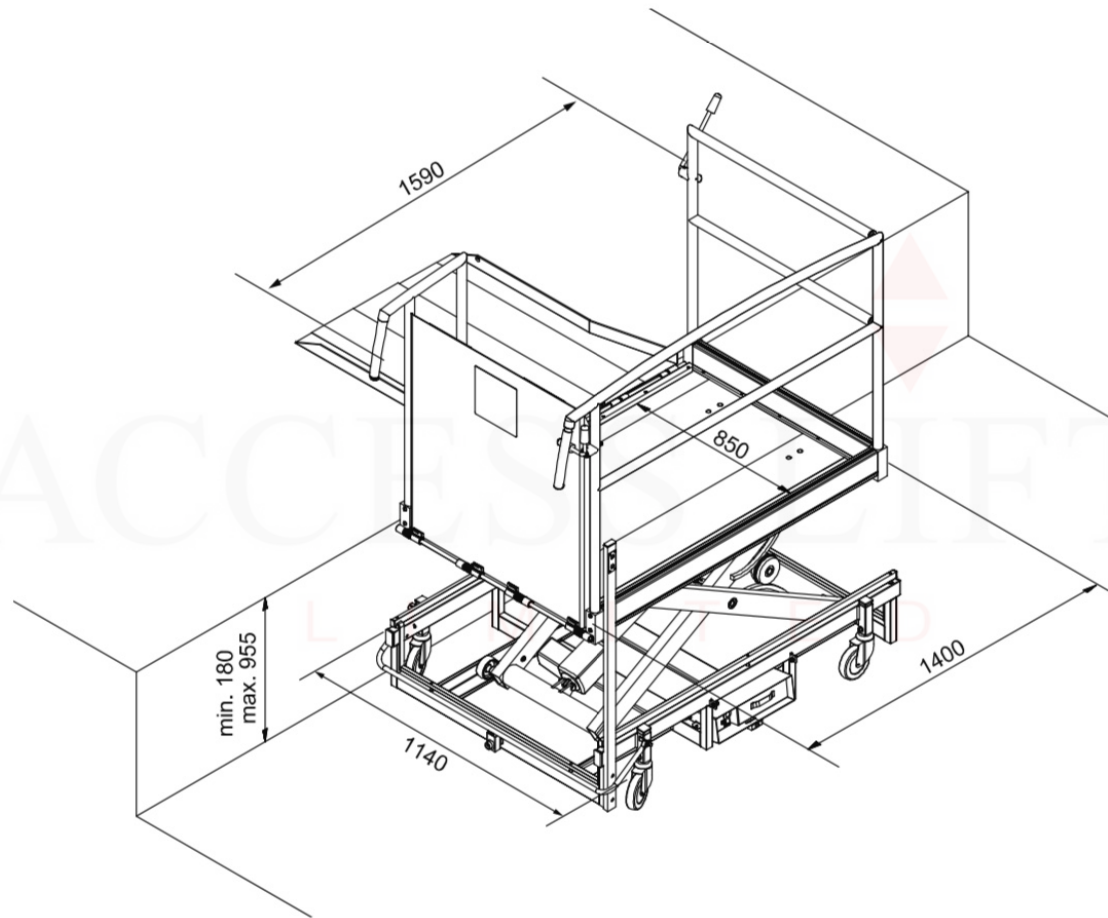
Electrical

Power Supply	24V DC from battery pack
Maximum Power Consumption	300VA

Additional Information

Noise Level	Sound emission does not exceed 70dB
Standards	Equipments meets the Machinery Directive 2006/42/EC

Portable Transport Lift - 90° Car Drawing



Portable Transport Lift - Through Car Drawing

